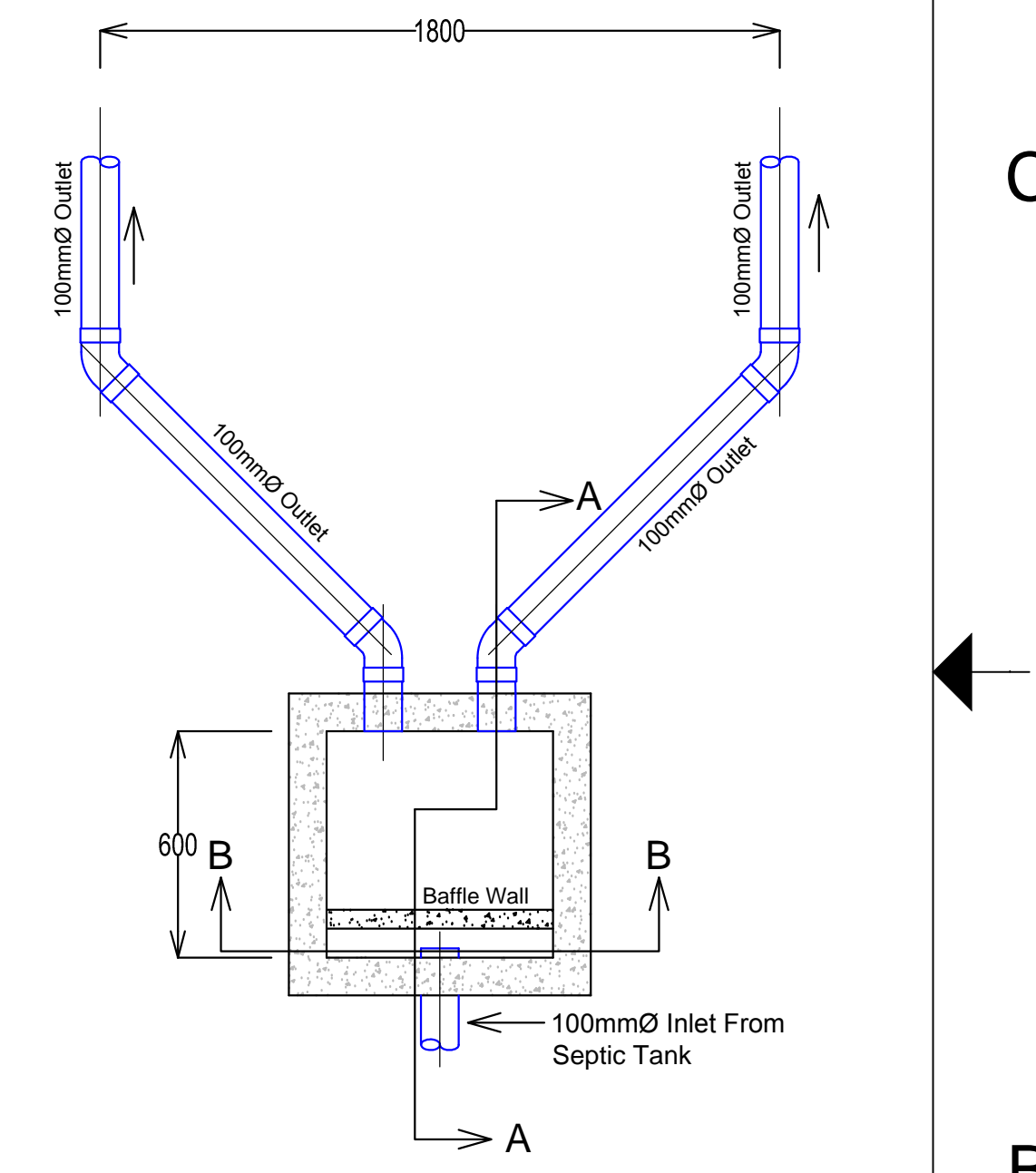
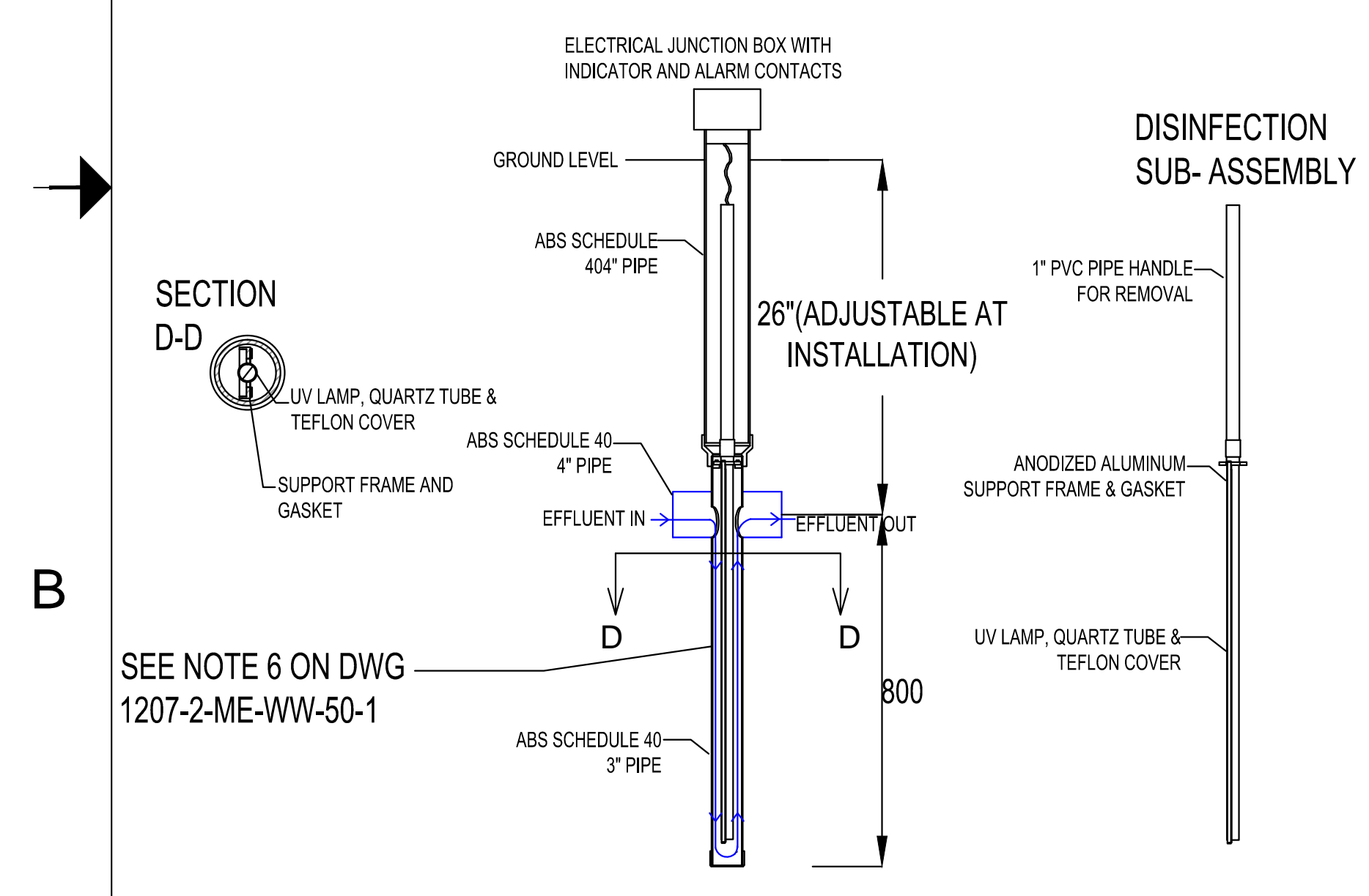


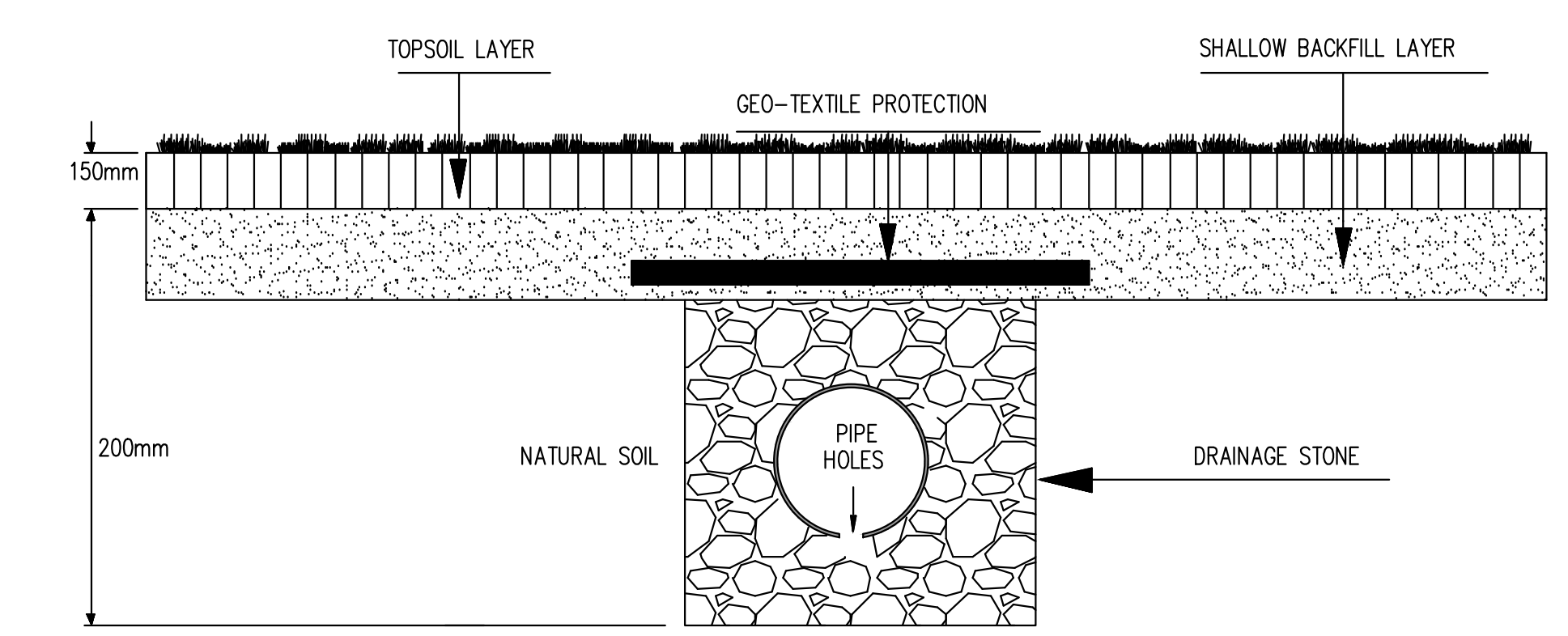
01 SAND FILTER DETAIL



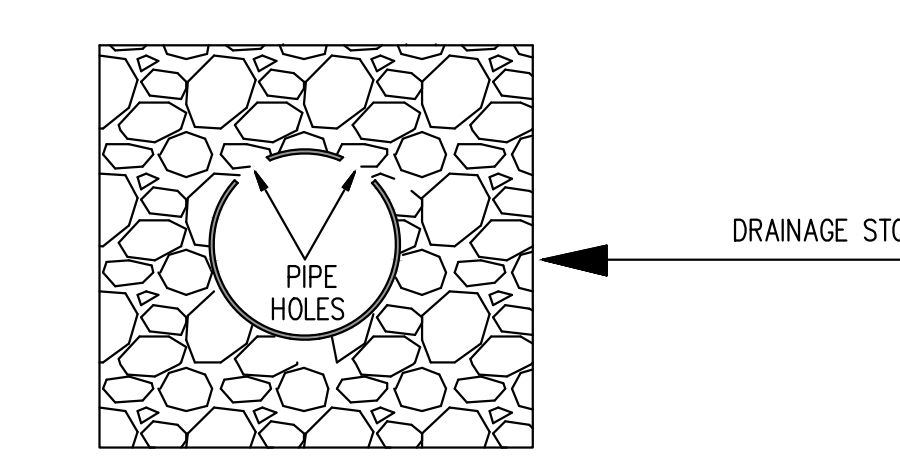
Plan View - (Cover Removed)



02 UV DISINFECTION UNIT

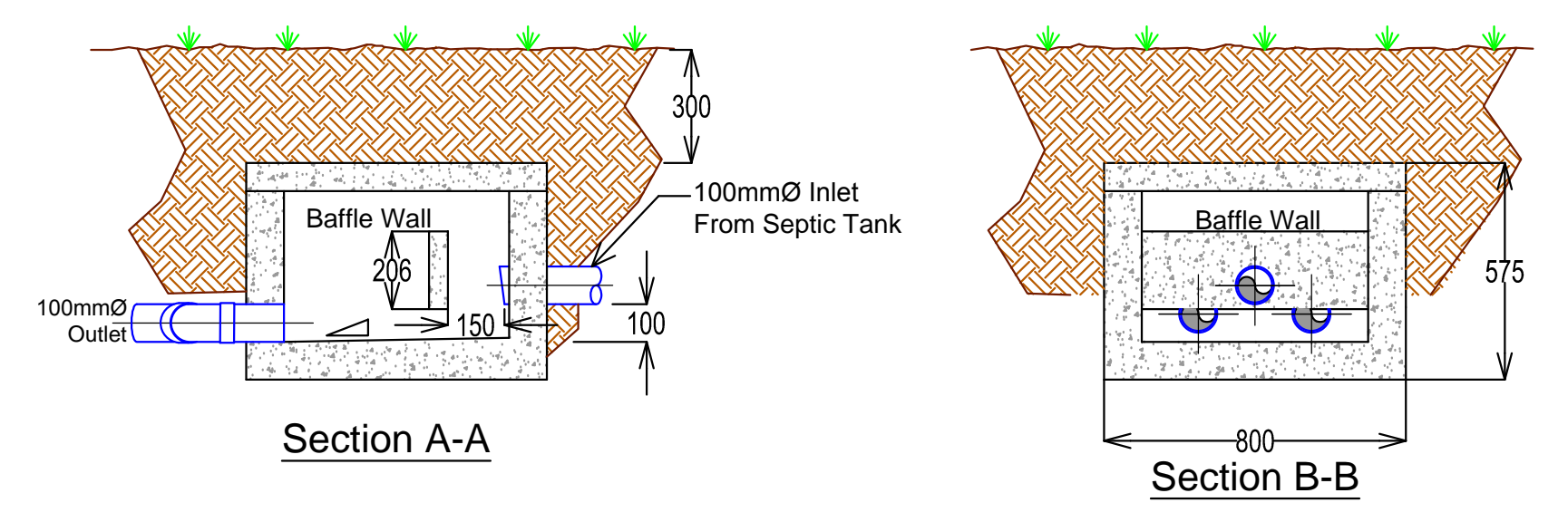


TYP. DETAILS FOR TOP PERFORATED PIPE



TYP. DETAILS FOR BOTTOM PERFORATED PIPE

03 PERFORATED PIPE DETAIL



Section A-A

Section B-B

04 WASTE WATER DISTRIBUTION BOX DETAIL

DRG. NO.	REFERENCE DRAWINGS	REV	BY	DATE	CHECKED	DATE	APP. / AUTH.	DATE	ALTERATION
		01C	D.C.	22-11-17	T.O.S.	22-11-17			ISSUE FOR CONSTRUCTION
		00D	D.C.	26-01-17	T.O.S.	26-01-17			ORIGINAL ISSUE

COPYRIGHT (C) 2016 SYLVESTER ENGINEERING LIMITED
All rights reserved

The information in this document is protected by the copyright of Sylvester Engineering Ltd. and may only be used for the purpose for which it is supplied. This document and all its copies must not be shown to third parties and has to be returned on demand.

No part of this Document may be copied, photocopied, reproduced, transmitted, microfilmed, or otherwise duplicated on any medium without written consent of Sylvester Engineering Ltd.

CLIENT	GOVT. OF ANTIGUA & BARBUDA	PROJECT	ST. MARY'S SECONDARY SCHOOL CDB UPGRADE PROJECT
COMPANY	SYLENG ENGINEERS & CONSTRUCTORS SYLVESTER ENGINEERING LTD website: www.syleng.com	DESCRIPTION / TITLE	SEPTIC TANK & LEACH FIELD DETAIL
SIZE	B	FSCM NO.	DWG NO. 1207-2-ME-WW-50-2
SCALE	NONE	DATE	26-01-17
		SHEET	2 OF 2
		REV	01C