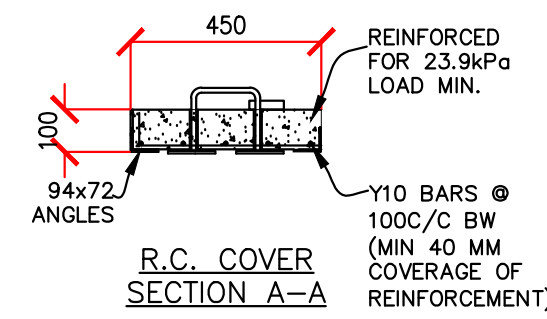


TYPICAL R.C. COVER DETAIL

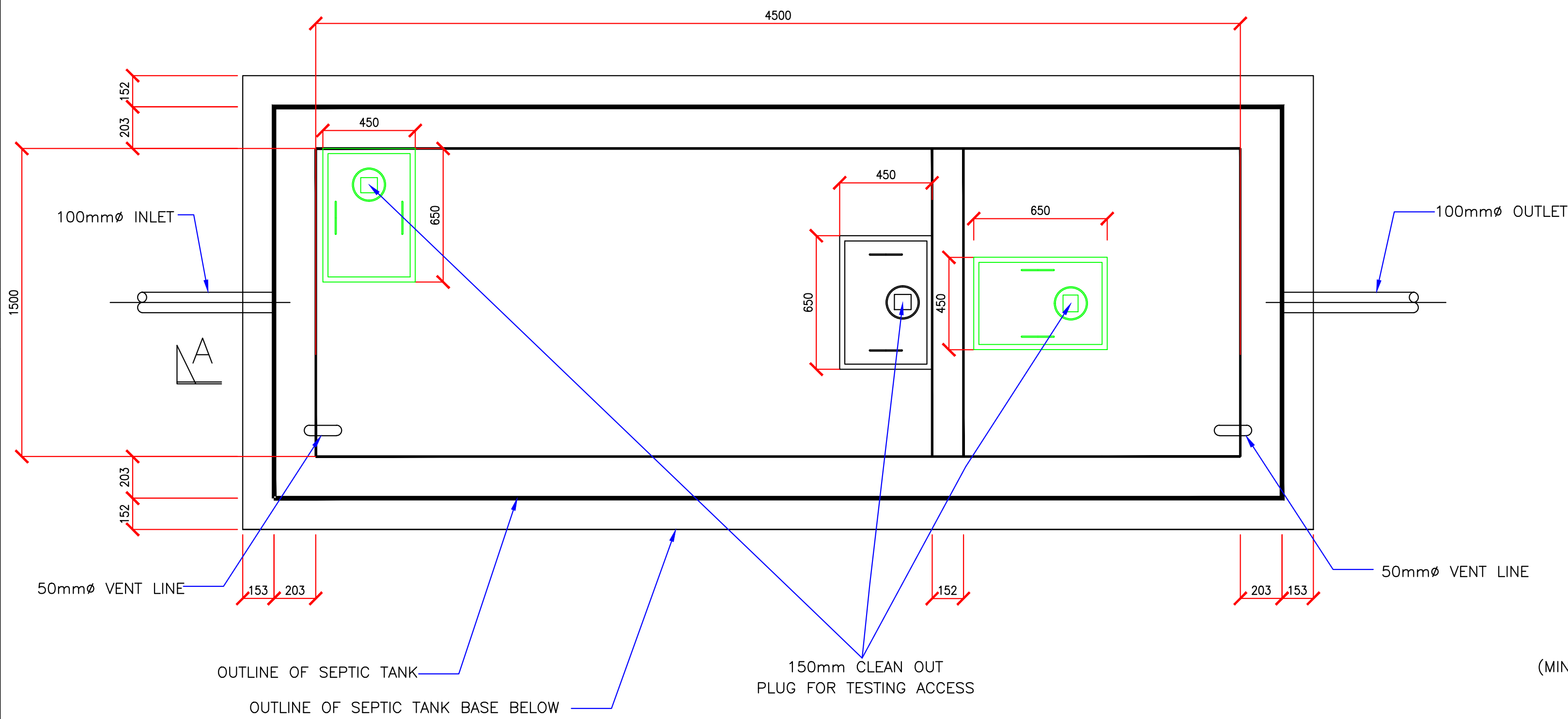


R.C. COVER SECTION A-A

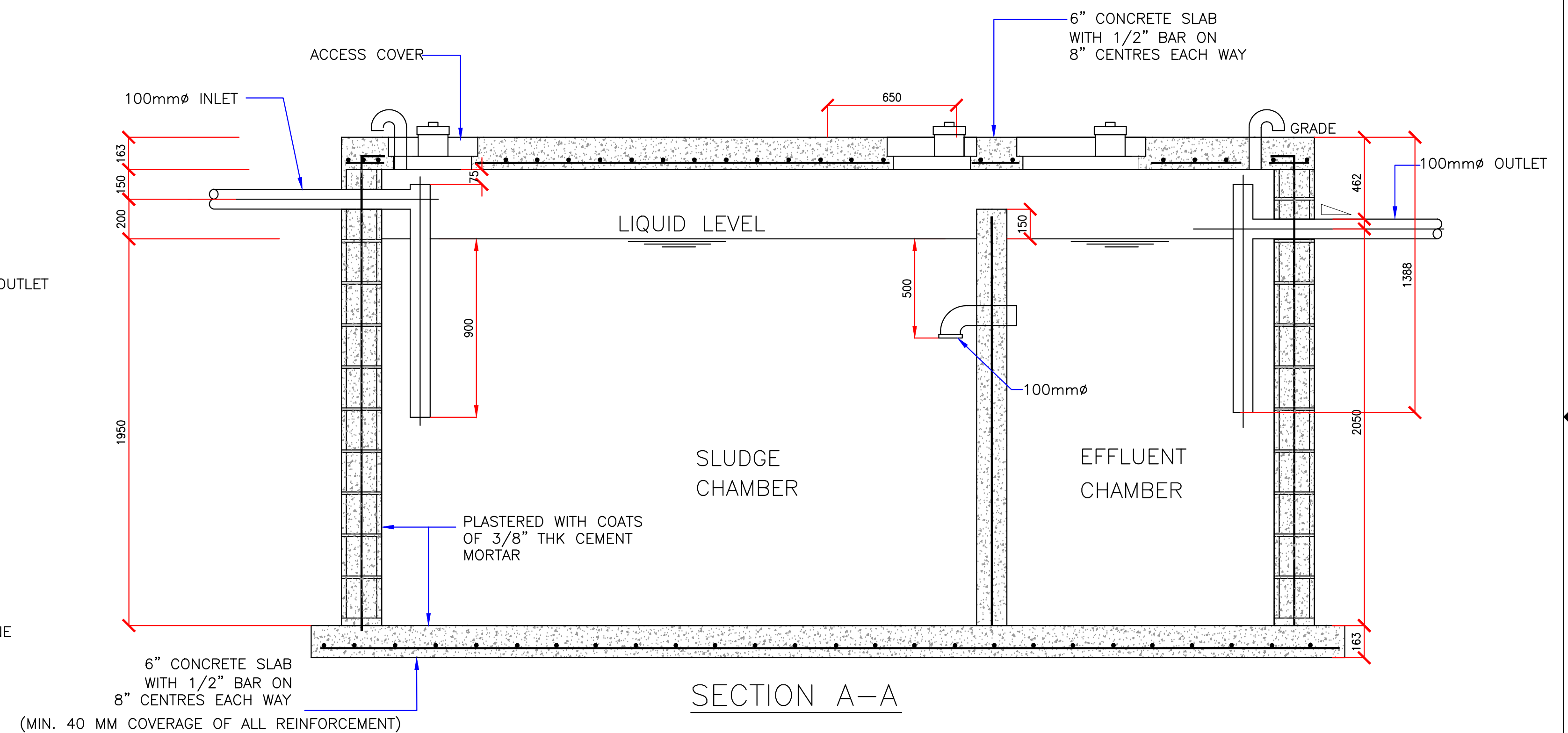
NOTES:

1. AFTER TANK HAS BEEN INSPECTED AND PASSED, PUT IN A HALF TO FULL BAG OF RICH MOIST BLACK WELL ROTTED MANURE, FROM THE BOTTOM OF A HEAP TO START TANK ACTION, SEAL UP MANHOLE AND SYSTEM.
2. PREVENT GREASE, DISINFECTANT, RAGS, CLOTH, ACID, SOAP AND GARBAGE FROM GETTING INTO TANK.
3. GUARD ALL VENTS ETC. FROM RATS, FLIES, MOSQUITOES AND COCKROACHES.
4. BEFORE BACK FILLING AROUND TANK, ALL EXTERNAL WALLS ARE TO BE TREATED WITH A BITUMINOUS WATER SEALANT.
5. SEPTIC TANK IS TO BE WATER TIGHT TO SURFACE AND SUB-SURFACE WATER.
6. WHERE NO SEPTIC TANK IS CONNECTED NO UV DISINFECTION UNIT IS REQUIRED.

SEPTIC TANK				
NO. OF FULL TIME USERS	CAPACITY IN LITRES	SEPTIC TANK SIZES INSIDE		
		WIDTH	LENGTH	LIQUID DEPTH
90 - 100	13,248	1500	4500	1950



01 PART TWO COMPARTMENT SEPTIC TANK



SECTION A-A
SEPTIC TANK - TWO COMPARTMENT

DRG. NO.	REFERENCE DRAWINGS	REV	BY	DATE	CHECKED BY	DATE	APP. / AUTH. BY	DATE	ALTERATION
		01C	D.C.	22-11-17	T.O.S.	22-11-17	T.O.S.	22-11-17	ISSUE FOR CONSTRUCTION
		00D	D.C.	26-01-17	T.O.S.	26-01-17	T.O.S.	26-01-17	ORIGINAL ISSUE

COPYRIGHT (C) 2016 SYLVESTER ENGINEERING LIMITED
 All rights reserved
 The information in this document is protected by the copyright of Sylvester Engineering Ltd. and may only be used for the purpose for which it is supplied. This document and all its copies must not be shown to third parties and has to be returned on demand.
 No part of this Document may be copied, photocopied, reproduced, transmitted, microfilmed, or otherwise duplicated on any medium without written consent of Sylvester Engineering Ltd.

CLIENT	GOVT. OF ANTIGUA & BARBUDA	PROJECT	ST. MARY'S SECONDARY SCHOOL CDB UPGRADE PROJECT
COMPANY	SYLENG ENGINEERS & CONSTRUCTORS SYLVESTER ENGINEERING LTD www.syleng.com	DESCRIPTION / TITLE	SEPTIC TANK DETAIL
SIZE	B	DWG. NO.	1207-2-ME-WW-50-1
SCALE	NONE	DATE	09-12-16
		SHEET	1 OF 2
		REV	01C